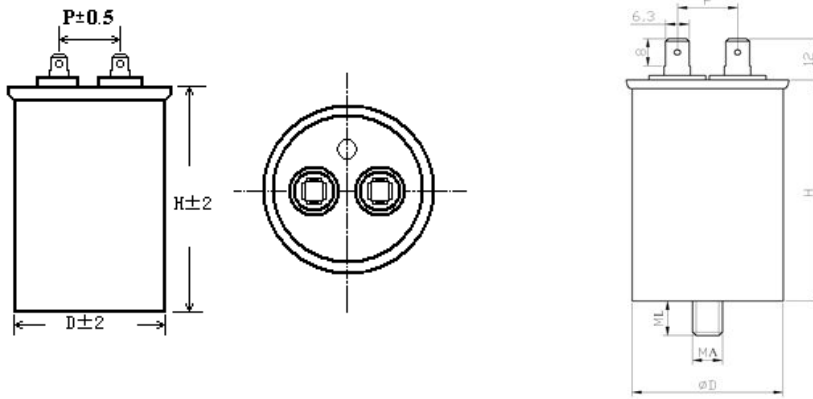


金属化聚丙烯膜交流电动机电容器(圆柱形、铝外壳、防爆)
Metallized polypropylene film AC motor capacitor (column, aluminum case, anti-explosion)

■ 外形图 Outline Drawing



■ 特点

- 适用于频率为 50HZ/60HZ 交流电源供电的 单相电动机起动和运转
- 具有良好的自愈性
- 性能稳定, 可靠性强
- 防爆设计, 更安全

■ Features

- Widely applied to starting and running of AC single-phase motors at 50Hz/60Hz frequency power
- Self-healing property
- Excellent stable performance and reliability
- Anti-explosion design, more safety

■ 技术要求 Specifications

运行等级 Class of operation	Class C (3 000h)	
气候类别 Climatic Category	40/70/21	
引用标准 Reference Standard	GB/T 3667.1 (IEC 60252-1)	
额定电压 Rated Voltage	450VAC, 50/60Hz	
安全防护等级 Class of safety protection	S2 (P2)	
电容量范围 Capacitance Range	5.0 μ F~85.0 μ F	
电容量偏差 Capacitance Tolerance	$\pm 5\%$, $\pm 10\%$, $\pm 15\%$	
耐电压 Voltage Proof	引线之间 Between Terminals:	900VAC(2s)
	极壳之间 Between Terminals To Case:	3 000VAC(60s)
损耗角正切 Dissipation Factor	$\leq 0.002 0$ (50Hz~100Hz) $\leq 0.006 0$ (1kHz, $C \leq 33\mu$ F) $\leq 0.008 0$ (1kHz, $C > 33\mu$ F)	
绝缘电阻 Insulation Resistance	$\geq 3 000s$ (20°C, 100V, 1min)	

产品代码说明 Part number system

■ 18 位产品代码说明如下:

The 18 digits part number is formed as follow:

1	2	3	4	5	6	7	8	9	10	11	12	13	14	15	16	17	18
□	□	□	□	□	□	□	□	□	□	□	□	□	□	□	□	□	□

W 6 5

第 1~3 位: 型号代码

W65=CBB65

第 4~5 位: 交流额定电压

S2=450V

第 6~8 位: 标称容量

举例 : 505 = 50×10^5 PF = 5.0 μ f

第 9 位: 容量偏差

J=±5% K=±10%,

第 10 位: 产品外形尺寸代码

Digit 1 to 3: Series code

W65=CBB65

Digit 4 to 5: AC rated voltage

S2=450V

Digit 6 to 8: Rated capacitance

For example: 505 = 50×10^5 PF = 5.0 μ f

Digit 9: Capacitance tolerance

J=±5%, K=±10%

Digit 10: Dimension code

CBB65 Dimension code														
D	H	Code	D	H	Code	D	H	Code	D	H	Code	D	H	Code
40	60	1	45	90	6	50	75	B	50	105	G	55	120	M
40	75	2	45	100	7	50	80	C	50	110	H	55	130	N
40	100	3	45	110	8	50	85	D	50	120	J	60	100	P
45	60	4	50	65	9	50	90	E	50	130	K	60	130	Q
45	75	5	50	70	A	50	100	F	55	110	L	60	135	R

第 11 位: 引出端代码

B=铁片

第 12~18 位: 内部特征码

Digit 11: Terminals code

B= iron code

Digit 12 to 18: Internal use

■ 外形尺寸 Dimensions (mm)

450Vac					450Vac				
C (μF)	D max	H max	P	Part number	C (μF)	D max	H max	P	Part number
5.0	40	60	16	W65S2505-1B*****	33.0	45	110	18	W65S2336-8B*****
6.0	40	60	16	W65S2605-1B*****	35.0	45	110	18	W65S2356-8B*****
7.0	40	60	16	W65S2705-1B*****	36.0	45	110	18	W65S2366-8B*****
8.0	40	60	16	W65S2805-1B*****	40.0	50	110	18	W65S2406-HB*****
10.0	40	60	16	W65S2106-1B*****	41.0	50	110	18	W65S2416-HB*****
11.0	45	60	18	W65S2116-4B*****	42.0	50	110	18	W65S2426-HB*****
12.0	45	60	18	W65S2126-4B*****	45.0	50	110	18	W65S2456-HB*****
14.0	45	60	18	W65S2146-4B*****	46.0	50	110	18	W65S2466-HB*****
11.0	40	75	16	W65S2116-2B*****	47.0	55	110	20	W65S2476-LB*****
12.0	40	75	16	W65S2126-2B*****	48.0	55	110	20	W65S2486-LB*****
14.0	40	75	16	W65S2146-2B*****	50.0	55	110	20	W65S2506-LB*****
15.0	40	75	16	W65S2156-2B*****	52.0	55	110	20	W65S2526-LB*****
16.0	45	75	18	W65S2166-5B*****	53.0	55	110	20	W65S2536-LB*****
17.0	45	75	18	W65S2176-5B*****	55.0	55	110	20	W65S2556-LB*****
17.5	45	75	18	W65S217E-5B*****	58.0	55	110	20	W65S2586-LB*****
20.0	45	75	18	W65S2206-5B*****	47.0	50	120	18	W65S2476-JB*****
25.0	50	75	18	W65S2256-BB*****	48.0	50	120	18	W65S2486-JB*****
26.0	50	75	18	W65S2266-BB*****	50.0	50	120	18	W65S2506-JB*****
30.0	50	85	18	W65S2306-DB*****	52.0	50	120	18	W65S2526-JB*****
16.0	40	100	16	W65S2166-3B*****	53.0	55	120	20	W65S2536-MB*****
17.0	40	100	16	W65S2176-3B*****	54.0	55	120	20	W65S2546-MB*****
17.5	40	100	16	W65S217E-3B*****	55.0	55	120	20	W65S2556-MB*****
20.0	40	100	16	W65S2206-3B*****	58.0	55	120	20	W65S2586-MB*****
25.0	40	100	16	W65S2256-3B*****	60.0	55	120	20	W65S2606-MB*****
26.0	45	100	18	W65S2266-7B*****	63.0	55	120	20	W65S2636-MB*****
30.0	45	100	18	W65S2306-7B*****	65.0	55	120	20	W65S2656-MB*****
32.0	45	100	18	W65S2326-7B*****	53.0	50	130	18	W65S2536-KB*****
33.0	50	100	18	W65S2336-FB*****	55.0	50	130	18	W65S2556-KB*****
35.0	50	100	18	W65S2356-FB*****	58.0	50	130	18	W65S2586-KB*****
36.0	50	100	18	W65S2366-FB*****	60.0	50	130	18	W65S2606-KB*****
40.0	50	100	18	W65S2406-FB*****	63.0	55	130	20	W65S2636-NB*****
					65.0	55	130	20	W65S2656-NB*****
					69.0	55	130	20	W65S2696-NB*****
					70.0	55	130	20	W65S2706-NB*****
					75.0	60	130	20	W65S2756-QB*****
					80.0	60	130	20	W65S2806-QB*****
					85.0	60	130	20	W65S2856-QB*****

备注: 1. “-”表示容量偏差。“-”=capacitance tolerance code, ,K=±10%,J=±5%,

2. 上表中列出的尺寸为本产品系列中的常用壳号尺寸, 其它规格尺寸也可生产。引用端尺寸参照国家标准

Sizes presented above are normally used dimension, other dimension can be produced in pursuance of customer's request. Sizes of terminals please refer to corresponding national standard.