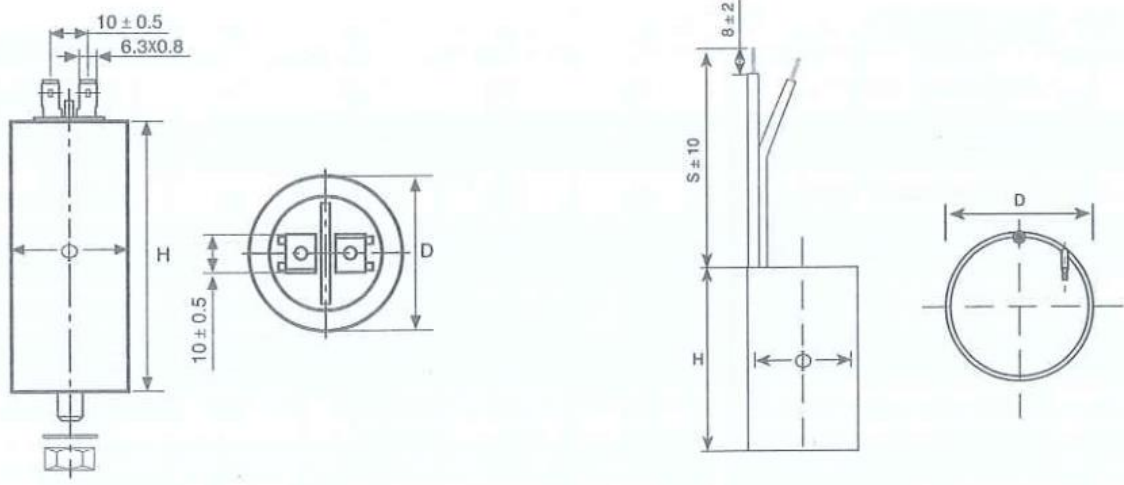


## 金属化聚丙烯膜交流电动机电容器(圆柱形、塑料外壳) Metallized polypropylene film AC motor capacitor (column, plastic case )

### ■ 外形图 Outline Drawing



### ■ 特点

- 适用于频率为 50HZ/60HZ 交流电源供电的  
单相电动机启动和运转
- 具有良好的自愈性
- 性能稳定，可靠性强

### ■ Features

- Widely applied to starting and running of AC single-phase  
motors at 50Hz/60Hz frequency power
- Self-healing property
- Excellent stable performance and reliability

### ■ 技术要求 Specifications

运行等级 Class of operation	500VAC Class C (3 000h), 450VAC Class B (10 000h), 400VAC Class A (30 000h)	
气候类别 Climatic Category	40/85/21	
贮存温度 Storage temperature	-40°C ~ 85°C	
额定电压 Rated Voltage	500VAC, 50/60Hz	
安全防护等级 Class of safety protection	S0 (P0)	
电容量范围 Capacitance Range	1.0μF~80.0μF	
电容量偏差 Capacitance Tolerance	±5%, ±10%, ±15%	
耐电压 Voltage Proof	引线之间 Between Terminals:	1 000VAC(2s)
	极壳之间 Between Terminals To Case:	3 000VAC(60s)
最高运行电压 Maximum permissible voltage	1.1U <sub>N</sub>	
最高运行电流 Maximum permissible current	1.3I <sub>N</sub>	
损耗角正切 Dissipation Factor	≤0.002 0 (1KHz, C≤10μF) ≤0.006 0 (1KHz, C≤35μF) ≤0.008 0 (1KHz, C>35μF)	
绝缘电阻 Insulation Resistance	≥3 000s (20°C, 100V, 1min)	
最大扭矩 Max tightening torque	4Nm(M8) ~ 8Nm(M12)	

## 产品代码说明 Part number system

### ■ 18 位产品代码说明如下:

The 18 digits part number is formed as follow:

1	2	3	4	5	6	7	8	9	10	11	12	13	14	15	16	17	18
□	□	□	□	□	□	□	□	□	□	□	□	□	□	□	□	□	□

### W 6 0

第 1~3 位: 型号代码

W60=CBB60

第 4~5 位: 交流额定电压

H2=500V S2=450V

第 6~8 位: 标称容量

举例 : 505 =  $50 \times 10^5$  PF = 5.0 $\mu$ f

12D =  $12.5 \times 10^5$  PF = 1.25 $\mu$ f

第 9 位: 容量偏差

J=±5% K=±10%,

第 10 位: 产品外形尺寸代码

Digit 1 to 3: Series code

W60=CBB60

Digit 4 to 5: AC rated voltage

H2=500V S2=450V

Digit 6 to 8: Rated capacitance

For example: 505 =  $50 \times 10^5$  PF = 5.0 $\mu$ f

12D =  $12.5 \times 10^5$  PF = 1.25 $\mu$ f

Digit 9: Capacitance tolerance

J=±5%, K=±10%

Digit 10: Dimension code

**CBB60 Dimension code**

D	Code	D	Code	D	Code	D	Code	D	Code	D	Code	D	Code	D	Code
25	1	30	2	35	3	40	4	45	5	50	6	55	7	60	8

第 11 位: 引出端代码

B=铁片

0=绝缘线剥线式

第 12~18 位: 内部特征码

Digit 11: Terminals code

B= iron code

0=insulate lead wire

Digit 12 to 18: Internal use

## ■ 外形尺寸 Dimensions (mm)

C ( $\mu$ F)	$I_N$ (A)	Max dv/dt (V/ $\mu$ s)	500Vac Tabs			500Vac Insulated flexible lead wire		
			D $\pm$ 10% (mm)	H $\pm$ 10% (mm)	Part number	D $\pm$ 10% (mm)	H $\pm$ 10% (mm)	Part number
1.0	0.16	20	25	43	W60H2105-1#*****	25	38	W60H2105-1#*****
1.25	0.20	20	25	43	W60H212D-1#*****	25	38	W60H212D-1#*****
1.5	0.24	20	25	43	W60H2155-1#*****	25	38	W60H2155-1#*****
1.7	0.27	20	25	43	W60H2175-1#*****	25	38	W60H2175-1#*****
2.0	0.31	20	30	43	W60H2205-2#*****	30	38	W60H2205-2#*****
2.5	0.39	20	30	43	W60H2255-2#*****	30	38	W60H2255-2#*****
3.0	0.47	20	30	43	W60H2305-2#*****	30	38	W60H2305-2#*****
3.15	0.49	20	30	43	W60H231D-2#*****	30	38	W60H231D-2#*****
3.5	0.55	20	30	53	W60H2355-2#*****	30	48	W60H2355-2#*****
4.0	0.63	20	30	53	W60H2405-2#*****	30	48	W60H2405-2#*****
4.5	0.71	20	30	53	W60H2455-2#*****	30	48	W60H2455-2#*****
5.0	0.79	20	30	53	W60H2505-2#*****	30	48	W60H2505-2#*****
5.5	0.86	20	35	53	W60H2555-3#*****	35	48	W60H2555-3#*****
6.0	0.94	20	35	53	W60H2605-3#*****	35	48	W60H2605-3#*****
6.3	0.99	20	35	53	W60H2635-3#*****	35	48	W60H2635-3#*****
6.5	1.02	20	35	53	W60H2655-3#*****	35	48	W60H2655-3#*****
7.0	1.10	20	35	53	W60H2705-3#*****	35	48	W60H2705-3#*****
7.5	1.18	20	35	53	W60H2755-3#*****	35	48	W60H2755-3#*****
8.0	1.26	20	35	53	W60H2805-3#*****	35	48	W60H2805-3#*****
9.0	1.41	20	35	63	W60H2905-3#*****	35	58	W60H2905-3#*****
10.0	1.57	20	35	63	W60H2106-3#*****	35	58	W60H2106-3#*****
12.0	1.88	20	40	63	W60H2126-4#*****	40	58	W60H2126-4#*****
13.0	2.04	20	40	63	W60H2136-4#*****	40	58	W60H2136-4#*****
14.0	2.20	20	40	63	W60H2146-4#*****	40	58	W60H2146-4#*****
15.0	2.36	20	40	73	W60H2156-4#*****	40	68	W60H2156-4#*****
16.0	2.51	20	40	73	W60H2166-4#*****	40	68	W60H2166-4#*****
18.0	2.83	20	40	73	W60H2186-4#*****	40	68	W60H2186-4#*****
20.0	3.14	20	40	73	W60H2207-4#*****	40	68	W60H2207-4#*****
25.0	3.93	20	40	98	W60H2257-4#*****	40	93	W60H2257-4#*****
30.0	4.71	20	40	98	W60H2307-4#*****	40	93	W60H2307-4#*****
31.5	4.95	20	45	98	W60H231E-5#*****	45	93	W60H231E-5#*****
32.0	5.02	20	45	98	W60H2327-5#*****	45	93	W60H2327-5#*****
35.0	5.50	20	45	98	W60H2357-5#*****	45	93	W60H2357-5#*****
36.0	5.65	20	45	98	W60H2367-5#*****	45	93	W60H2367-5#*****
40.0	6.28	20	45	98	W60H2407-5#*****	45	93	W60H2407-5#*****
45.0	7.07	20	50	98	W60H2457-6#*****	50	93	W60H2457-6#*****
50.0	7.85	20	50	98	W60H2507-6#*****	50	93	W60H2507-6#*****
55.0	8.64	20	50	123	W60H2557-6#*****	50	118	W60H2557-6#*****
60.0	9.42	20	50	123	W60H2607-6#*****	50	118	W60H2607-6#*****
70.0	10.99	20	55	123	W60H2707-7#*****	55	118	W60H2707-7#*****
80.0	12.56	20	60	123	W60H2807-8#*****	60	118	W60H2807-8#*****

备注: 1. "-" 表示容量偏差。"-#" =capacitance tolerance code, K= $\pm$ 10%,J= $\pm$ 5%,

2. "#" 表示引出端代码, 引出端子可以选用铁片式或绝缘线剥线式。"#" Terminals code, Terminals can be iron code or insulate lead wire

3. 上表中所列的尺寸为本产品系列中的常用壳号尺寸, 其它规格尺寸也可生产。引出端尺寸参照国家标准

Sizes presented above are normally used dimension, other dimension can be produced in pursuance of customer's request. Sizes of terminals please refer to corresponding national standard.